

Feb. 17, 1948.

H. J. MERTZ

Des. 148,716

MOTOR SCOOTER

Filed April 15, 1946

2 Sheets-Sheet 1

FIG 1

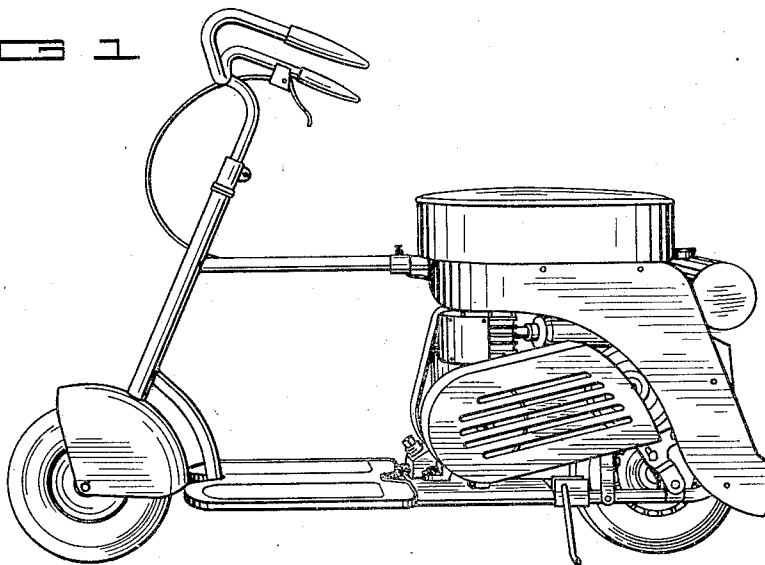
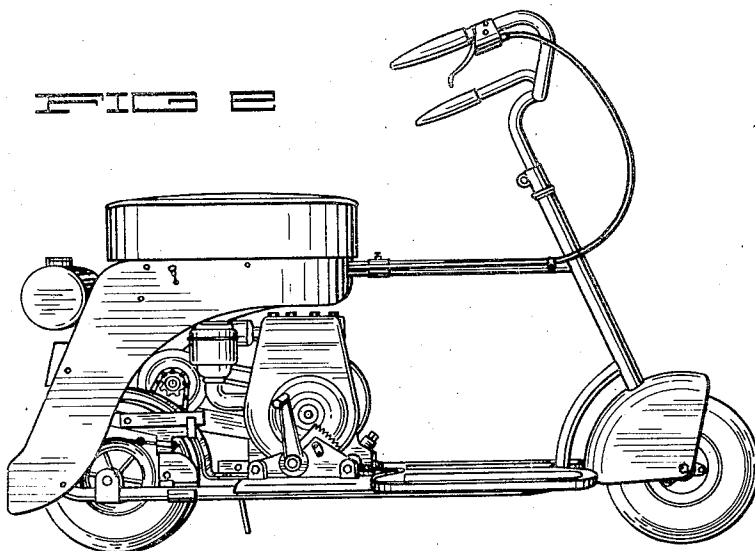


FIG 2



Inventor  
HARRY J. MERTZ

By *Carlson & Hayle*  
Attorneys

Feb. 17, 1948.

H. J. MERTZ

Des. 148,716

MOTOR SCOOTER

Filed April 15, 1946

2 Sheets-Sheet 2

FIG 3

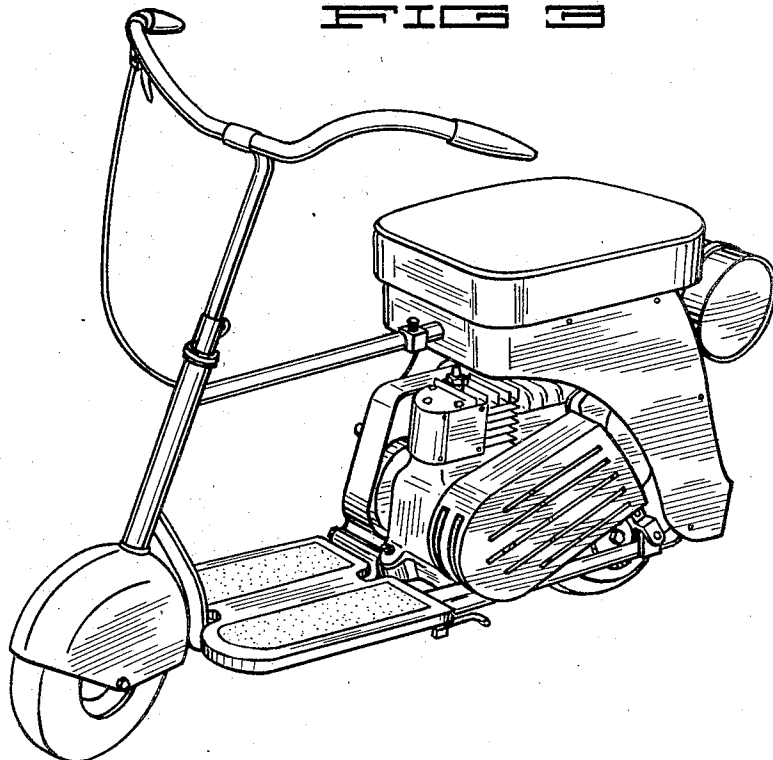
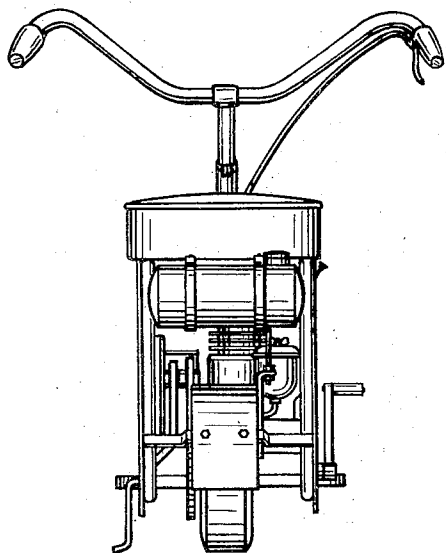


FIG 4



Inventor

HARRY J. MERTZ

By *Carlson & Hagler*

Attorney

# UNITED STATES PATENT OFFICE

148,716

## DESIGN FOR A MOTOR SCOOTER

Harry J. Mertz, Webster City, Iowa, assignor to  
Solar Corporation, Milwaukee, Wis., a corpora-  
tion of Delaware

Application April 15, 1946, Serial No. 128,596

Term of patent 14 years

(Cl. D90—8)

*To all whom it may concern:*

Be it known, that I, Harry J. Mertz, a citizen of the United States, residing at Webster City, in the county of Hamilton and State of Iowa, have invented a new, original, and ornamental Design for Motor Scooter, of which the following is a specification, reference being had to the accompanying drawing, forming part thereof, in which—

Fig. 1 is a side perspective view of a motor scooter showing my new design.

Fig. 2 is a similar view but looking at the opposite side of the scooter.

Fig. 3 is a front and side perspective of the scooter.

Fig. 4 is a rear elevational view of the scooter.

I claim:

The ornamental design for a motor scooter, as shown.

HARRY J. MERTZ.

### REFERENCES CITED

The following references are of record in the file of this patent:

Paramount Salesman, Catalog No. 189, Spring and Summer 1939, page 38, Fig. "Century Solo" upper lefthand illustration.